

SMA

SWIMMING POOL DEHUMIDIFIERS

Dehumidifying capacity from 111 l/24h to 940 l/24h
Air flow from 3500 m³/h to 8500 m³/h

R410A



Series SMA dehumidifier are expressly designed for use in swimming pools where humidity should be closely controlled in order to guarantee optimal comfort. These units are intended to be installed in a technical room close to the swimming pool. A centrifugal fan with high available static pressure allows unit connection to ductworks, both for air suction and discharge. This series comprises 6 basic models which cover a capacity range from 263 to 940 l/24h. Temperature and humidity probes are accessories supplied on request.

VERSIONS

The series includes 6 models with air flows from 3500 to 8500 m³/h.

TECHNICAL DATA

SMA		270	350	450	550	750	950
Moisture removed at 30°C - 80%	l/24h	254,2	353,3	466,7	600,2	845,9	1028,0
Moisture removed at 30°C - 60%	l/24h	183,7	266,0	340,1	436,1	605,3	766,3
Moisture removed at 27°C - 60%	l/24h	162,0	234,3	303,0	377,1	536,2	682,7
Moisture removed at 20°C - 60%	l/24h	113,2	170,6	221,6	264,2	386,5	508,2
Nominal input power at 30°C - 80% ⁽¹⁾	kW	4,1	5,3	8,1	9,2	14,3	18,1
Maximum input power ⁽¹⁾	kW	6,4	7,8	10,5	10,6	17,6	20,8
Supplementary electric heater	kW	9,0	9,0	9,0	18,0	18,0	18,0
Maximum input current ⁽¹⁾	A	10,8	13,0	17,1	18,3	28,6	35,2
Peak current	A	51,0	66,0	76,0	98,6	103,0	151,0
Hot water coil ⁽²⁾	kW	22,8	24,0	24,0	42,0	49,0	56,0
Partial heat recovery ⁽³⁾	kW	1,8	2,2	2,7	3,5	---	---
Air Flow	m ³ /h	3500	4200	4200	5500	7000	8500
Available static pressure	Pa	50÷150	50÷150	50÷150	50÷150	50÷150	50÷150
Refrigerant		R410a	R410a	R410a	R410a	R410a	R410a
Global warming potential (GWP)		2088	2088	2088	2088	2088	2088
Refrigerant charge	kg	3,00	2,50	2,50	6,3	6,6	7,0
Equivalent CO2 charge	t	6,26	5,22	5,22	13,15	13,78	14,61
Sound power ⁽⁴⁾	dB(A)	70	71	71	73	73	73
Sound pressure ⁽⁵⁾	dB(A)	54	55	55	56	56	56
Power supply	V/Ph/Hz	400/3+N/50	400/3+N/50	400/3+N/50	400/3+N/50	400/3+N/50	400/3+N/50

Performances are calculated with low fan speed and are referred to the following conditions:

(1) Without electric heater.

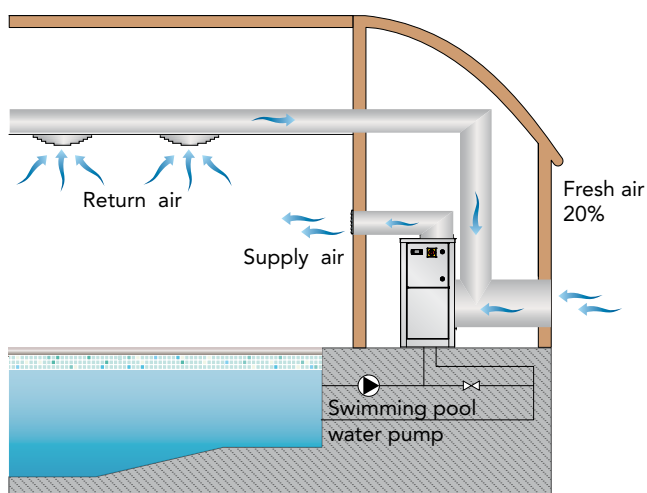
(2) Room temperature 30°C; water temperature 80/70°C, compressor OFF.

(3) Room temperature 30°C/80%; water temperature 30/35°C.

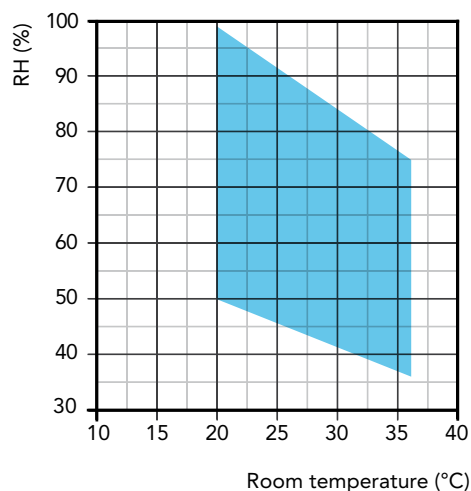
(4) Sound Power level according to ISO EN 3744 fan with available static pressure 50 Pa.

(5) Sound Pressure level measured at 1 mt from the unit in free field conditions according with ISO EN 3744, fan with available static pressure 50 Pa.

PLANT SCHEME



OPERATION LIMITS



COMPONENTS

FRAME

All units are made from hot-galvanised thick sheet metal, painted with polyurethane powder enamel at 180°C to ensure the best resistance against the atmospheric agents. The frame is self-supporting with removable panels. All screws and rivets are in stainless steel. The colour of the units is RAL 9018.

REFRIGERANT CIRCUIT

The refrigerant gas used in these units is R410A. The refrigerant circuit is made by using international primary brands components and according to ISO 97/23 concerning welding procedures.

The refrigerant circuit includes: sight glass, filter drier, thermal expansion valve with external equalizer, Schrader valves for maintenance and control, pressure safety device (according to PED regulation).

COMPRESSOR

The compressors are Scroll type, with thermal overload protection by a klixon embedded in the motor winding. The compressor is mounted on rubber vibration dampers and it is supplied, standard, with sound-proof cover to reduce noise emission. The inspection is possible through the frontal panel of the unit that allows the maintenance of the compressor.

CONDENSER AND EVAPORATOR

Condensers and evaporators are made of copper pipes and aluminium fins. All evaporators are painted with epoxy powders to prevent corrosion problem due to their use in aggressive environments. The diameter of the copper pipes is 3/8" and the thickness of the aluminium fins is 0,1 mm. The tubes are mechanically expanded into the aluminium fins to improve the heat exchange factor. The geometry of these heat exchangers guarantees a low air side pressure drop and then the use of low rotation (and low noise emission) fans. All units are supplied, standard, with a powder coated steel drip tray and all evaporators are supplied with a temperature sensor used as automatic defrost probe.

FAN

The fans are made of galvanized steel, centrifugal type. It is statically and dynamically balanced and supplied.

The electric motors are directly connected to the fan; they are all at 2 speeds, with integrated thermal protection. The protection class of the motors is IP 54.

AIR FILTER

It is made of synthetic filtering media, undulated type, without electro-static charge; they are all removable for differential disposal, ePM10 50% according to UNI EN ISO 16890:2017.

MICROPROCESSOR

All units are supplied standard with microprocessor controls. The microprocessor controls the following functions: compressor timing, automatic defrost cycles, alarms.

An appropriate LCD display shows the operation mode of the unit, set point and alarms.

ELECTRIC BOX

The electric switch board is made according to electromagnetic compatibility norms CEE 2014/35 and 2014/30. The accessibility to the board is possible after removing the front panel of the unit and the OFF positioning of the main switch. The following components are also standard installed: main switch, magnetic-thermal switches (as a protection fans and compressors), control circuit automatic breakers, compressor contactors, fan contactors. The terminal board is supplied with voltage free contacts for remote ON-OFF and general alarm.

CONTROL AND PROTECTION DEVICES

All units are supplied with the following control and protection devices: antifreeze protection sensor, high pressure switch with manual reset, low pressure switch with automatic reset, high pressure safety valve, compressor thermal overload protection, fans thermal overload protection.

TEST

All the units are fully assembled and wired at the factory, carefully evacuated and dried after leak tests under pressure and then charged with refrigerant R410A.

They are all fully operational tested before shipment. They all conform to European Directives and are individually marked with the CE label and provided with Conformity Declaration.

ACCESSORY DESCRIPTIONS

CANA - Delivery flange for channel connection

Press-folded rectangular flange for connection to the ducts and installed on the fan expulsion mouth.

HYGR - Remote mechanical hygostat

To be installed on the wall, it is supplied with a regulation knob and working range from 30% to 100% with precision of 3%.

HOEL - Electric heater

The electric heater kit is in aluminium and is used to integrate the unit heating capacity. The kit is composed of an on-off double safety thermostat without capacity steps.

HOWA - Hot water coil

The heat exchanger is made of copper pipes and aluminium fins. The diameter of the copper pipes is 3/8" and the thickness of the aluminium fins is 0,1 mm. The tubes are mechanically expanded into the aluminium fins to improve the heat exchange factor.

INSE - Serial interface card RS485

This interface card enables the controller to communicate with other devices using Modbus protocol.

KIVM - 3 Way modulating valve kit

It is used to control the waterflow in the coil. The valve is directly controlled from the unit microprocessor.

LS00 - Low noise version

This version includes the complete acoustic insulation of the unit (compressor + heat exchangers vanes) with compressor jackets and insulating material made with high density media and the interposition of heavy bitumen layer.

PCRL - Remote control panel

This panel can be mounted up to 50m (maximum) from the unit and replicates all of the control functions. It is connected using a twin cable of 0.5 mm sq section.

RGDD - Humidity and Temperature electronic probe sensor

Built-in Electronic temperature and humidity probe.

RP01 - Partial heat recovery

The unit is fitted with a Coaxial type heat exchanger suitable for chlorinated water. The internal pipe is manufactured from Cupronickel with the external pipe being made from Copper. The chlorinated water flows within the internal pipe whilst the refrigerant gas passes through the gap between the internal and external pipes. The Cupronickel internal pipe is manufactured with a special profile that generates turbulent flow within the refrigerant.

ant gas thus increasing the heat exchange factor, the thermal efficiency and reducing the dimensions. The heat exchanger is designed to recover approx. 20% of the thermal capacity generated by the unit.

V1CE - E.C. supply fan

The supply fan is a high performance centrifugal type, double inlet forward curved blades, directly coupled to the electric motor. The fan wheel and the scroll are made from hot galvanised thick sheet metal, painted with polyurethane powders, to ensure the best resistance against aggressive environments. The electric motor is a high efficiency DC brushless type with exter-

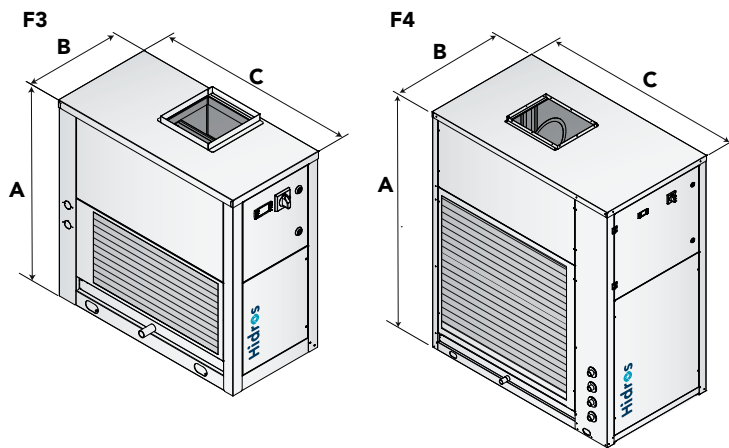
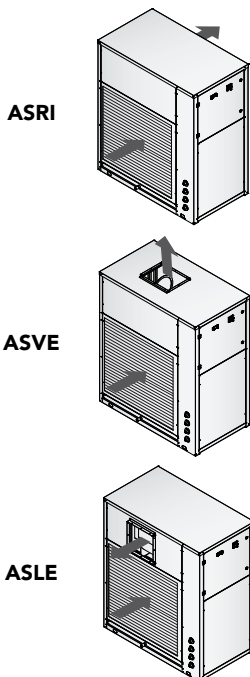
nal rotor, to guarantee an ideal cooling of the windings and the absence of power lost due to pulleys and belt transmission. The fan is statically and dynamically balanced class 6,3 according to ISO1940. The electric motor has a separate electronic commutator (driver) and a speed modulation 0-10V, integrated PFC, burn out thermal protection (in case of considerable reduction of the power supply), protection degree IP54, serial interface card with modbus protocol RTU.

ACCESSORIES

SMA		270	350	450	550	750	950
A.C. fans ≤ 150 Pa		●	●	●	●	●	●
Supply flange	CANA	●	●	●	●	●	●
Thermostatic valve		●	●	●	●	●	●
Low noise version	LS00	●	●	●	●	●	●
Main switch		●	●	●	●	●	●
Humidity and Temperature electronic probe sensor	RGDD	○	○	○	○	○	○
Remote mechanical hygrostat	HYGR	○	○	○	○	○	○
Partial heat recovery Cu-Ni made	RP01	○	○	○	○	○	○
Hot water coil	HOWA	○	○	○	○	○	○
Modulating 3 way valve kit installed	KIVM	○	○	○	○	○	○
Electric heater kit 6 kW (400/3~/50)	HOEL	○	○	○	-	-	-
Electric heater kit 9 kW (400/3~/50)	HOEL	○	○	○	○	○	○
Electric heater kit 18 kW (400/3~/50)	HOEL	-	-	-	○	○	○
Stainless steel frame	INOX	○	○	○	○	○	○
Air filter with frame for ducted installation	FARC	○	○	○	○	○	○
Remote control Panel	PCRL	○	○	○	○	○	○
High efficiency E.C. fans ≤ 300 Pa	V1CE	○	○	○	○	○	○
Serial interface card RS485	INSE	○	○	○	○	○	○
Rubber vibration dampers	KAVG	○	○	○	○	○	○

● Standard, ○ Optional, - Not Available.

POSSIBLE CONFIGURATIONS



Mod.	Frame	A (mm)	B (mm)	C (mm)	kg
270	F3	1378	704	1154	207
350	F3	1378	704	1154	211
450	F3	1378	704	1154	215
550	F4	1750	854	1504	415
750	F4	1750	854	1504	423
950	F4	1750	854	1504	430